



# BRONZE SWING CHECK VALVE

Model 1410B



**PRESSURE RATING:**

PN 20 (300 psi)

**HYDRAULIC TEST:**

Body : 30 bar

Seat : 22 bar

**CONNECTION:**

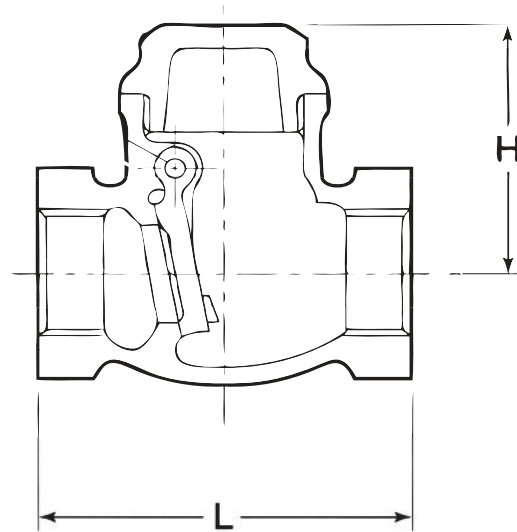
Screwed Ends

**COUNTRY OF ORIGIN:**

Taiwan

**MATERIAL CONSTRUCTION:**

Bronze CC491K



**DIMENSIONS:**

DN	L mm	H mm
15	54	40
20	63	43
25	72	50
32	81	57
40	91	63
50	107	68

\* All dimensions in mm.