



CAST IRON WAFER TYPE SILENT CHECK VALVE WITH BRONZE TRIM

Model 1404



PRESSURE RATING:

PN 16

PRODUCT ORIGIN:

China

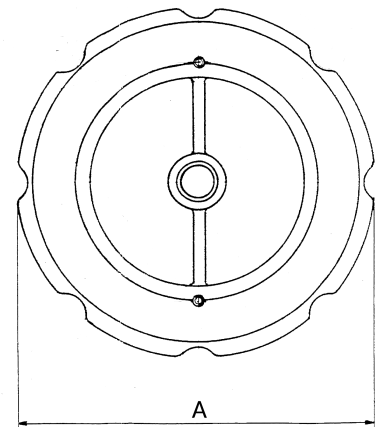
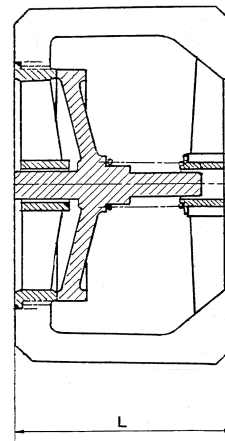
MATERIALS:

Body
Cast Iron

Trim
Bronze CC491K

COATING:

Fusion bonded epoxy coated internally and externally in red, blue or black



DIMENSIONS:

DN	40	50	65	80	100	150	200	250
L	62	68	82	83	102	141	167	210
A	95	109	122	148	179	239	346	406

* All dimensions in mm.