



# CAST IRON U-TYPE STRAINER

Model 3931



**PRESSURE RATING:**

PN 16 (232 psi)

**CONNECTION:**

Flanged Ends

**PRODUCT ORIGIN:**

Taiwan

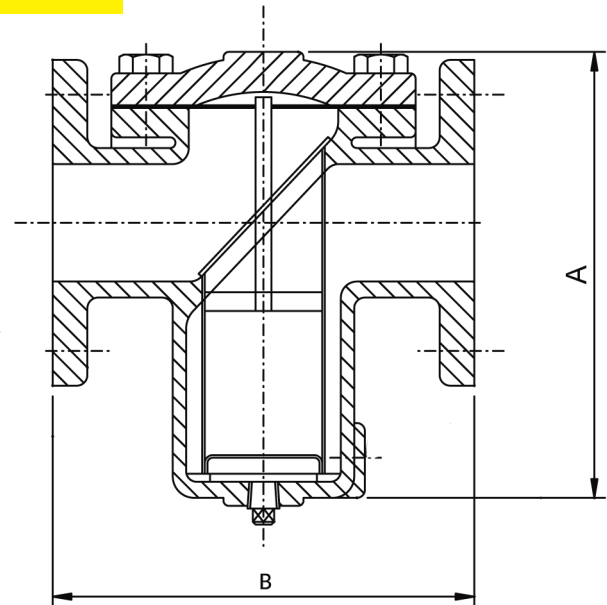
**MATERIALS:**

**Body and cover:**  
Cast Iron

**Trim:**  
Stainless Steel 316

**COATING:**

Fusion bonded epoxy coated internally  
and externally in red, blue or black



**DIMENSIONS:**

DN	65	80	100	150	200
B	210	248	292	375	470
A	244	286	324	397	524

\* All dimensions in mm.