



STAINLESS STEEL SWING CHECK VALVES

FIG. 801



Pressure Rating:
PN16, PN20 and PN25 are available.

Testing Pressure:
1.5 X PN on body.
1.1 X PN on seat.

Connection:
Flange to BS EN1092-1 (BS4504)

Approval:
Nutek test reports are available.

MAINTENANCE FREE

CONSTRUCTION:

1. Face to face dimensions to BSEN12334 (BS5153)
2. End flange dimensions to BS EN1092-1 (BS4504)
3. Design and tested according to BSEN12334 (BS5153)
4. Flanged end connection for easy installation.
5. Extra corrosion resistance and long service life.

Body and Cover

Stainless Steel BS 970 Gr.316 (BS EN 10088)

Stem

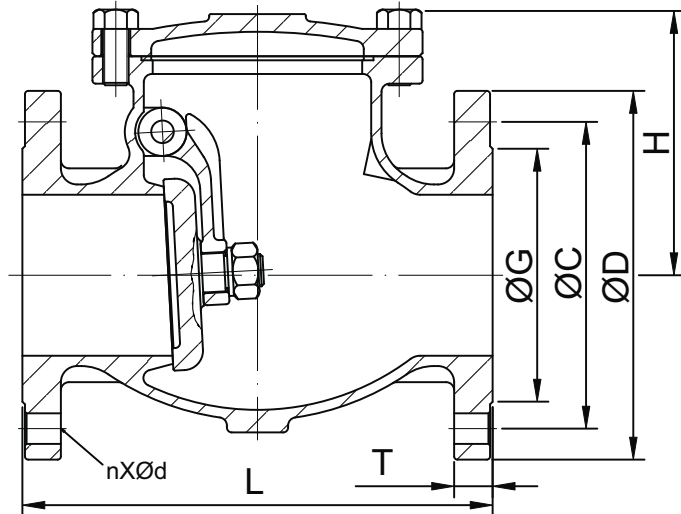
Stainless Steel to BS 970 Gr.316 (BS EN 10088)

Disc and Seat Ring

Stainless Steel to BS 970 Gr.316 (BS EN 10088)

Gasket

PTFE



DIMENSIONS:

SIZE		L	H	ØD	ØC	T	nXØd
2"	50	203	120	165	125	18	4 X 18
2½"	65	216	135	185	145	18	4 X 18
3"	80	241	147	200	160	20	8 X 18
4"	100	292	169	220	180	20	8 X 18
6"	150	356	213	285	240	22	8 X 22
8"	200	495	253	340	295	24	12 X 22

* All dimensions in mm.

* Flange end to BS4504 PN25 also available on request.

* Sizes available upto DN600 (24").

RIGHT IS RESERVED FOR DEVELOPMENT AND IMPROVEMENT IN DESIGN, MATERIALS, AND MANUFACTURING PROCESS.

PSV International Ltd.