



STAINLESS STEEL BALL VALVE

Model 1600



PRESSURE RATING:

1000WOG and 800WOG are available.

TESTING PRESSURE:

1.5 X PN on body.
1.1 X PN on seat.

CONNECTION:

Screwed ends to BS21

MAINTENANCE FREE

CONSTRUCTION:

1. High Quality, heavy duty investment casting body / bonnet with blow-out proved stem design.
2. Suitable for potable water and normal sea water.
3. Extra corrosion resistance and long service life.

MATERIALS:

Body and Cap

Stainless Steel BS 970 Gr.316 (BS EN 10088)

Ball

Stainless Steel BS 970 Gr.316 (BS EN 10088)

Seat

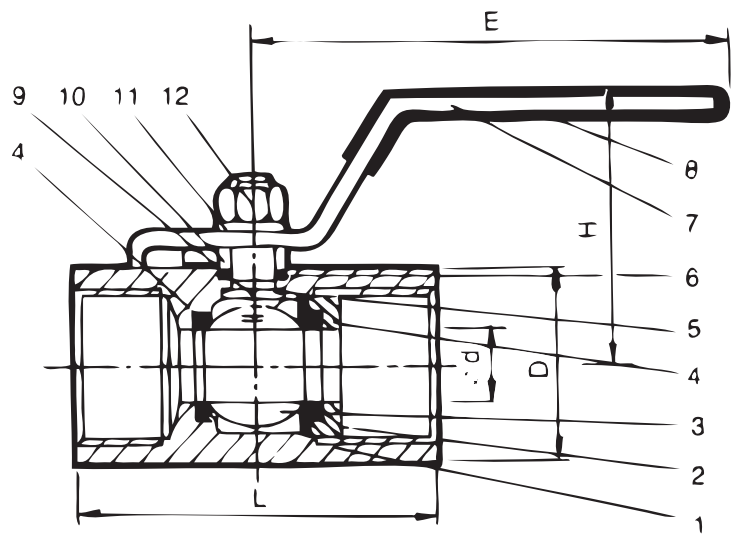
Stainless Steel BS 970 Gr.316 (BS EN 10088)

Handle

Stainless Steel BS 970 Gr.304

Stem Nut and Washer

Stainless Steel BS 970 Gr.304



DIMENSIONS:

SIZE (inch)	Ød	D	H	E	L
1/4"	5	10.5	30	60	41
3/8"	7	21	30	80	47
1/2"	10	25	54	90	57
3/4"	13	32	58	90	64
1"	16	38	58	110	74
1 1/4"	20	48	71	150	88
1 1/2"	25	55	75	150	97
2"	32	68	80	150	108

* Dimensions in mm.

* Larger sizes are available on request.

RIGHT IS RESERVED FOR DEVELOPMENT AND IMPROVEMENT IN DESIGN, MATERIALS, AND MANUFACTURING PROCESS.

PIPEMATE INTERNATIONAL LTD.