



STAINLESS STEEL GATE VALVE

Model 1100



PRESSURE RATING:

40 Bar (580psi)

HYDRAULIC TEST:

Body : 60 Bar (870psi)
Seat : 44 Bar (638psi)

CONNECTION:

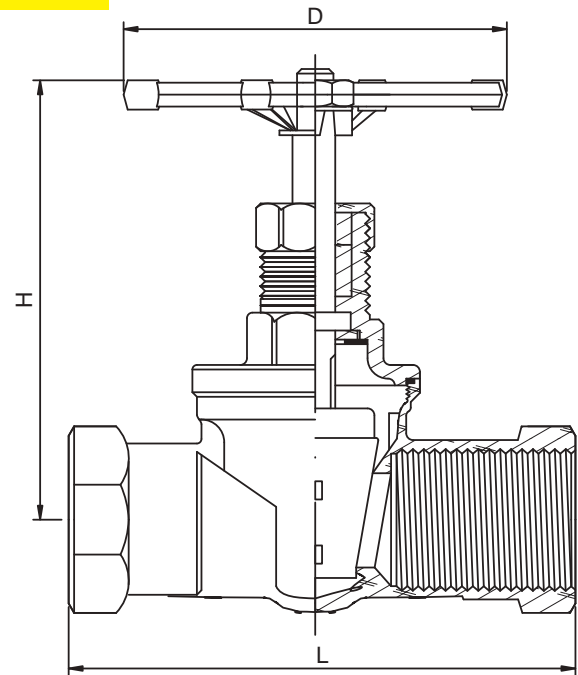
Screwed Ends

COUNTRY OF ORIGIN:

Taiwan

MATERIAL CONSTRUCTION:

Stainless Steel 316



DIMENSIONS:

DN	15	20	25	32	40	50
L	56	60	69	78	81	94.5
H	99	102	110	129	147	164
D	62	62	73	84	84	94

* All dimensions in mm.