



# STAINLESS STEEL SPRING LOADED SILENT CHECK VALVE

Model 1400



**PRESSURE RATING:**

PN 40 (580psi)

**HYDRAULIC TEST:**

Body : 60 Bar (870psi)

Seat : 44 Bar (638psi)

**CONNECTION:**

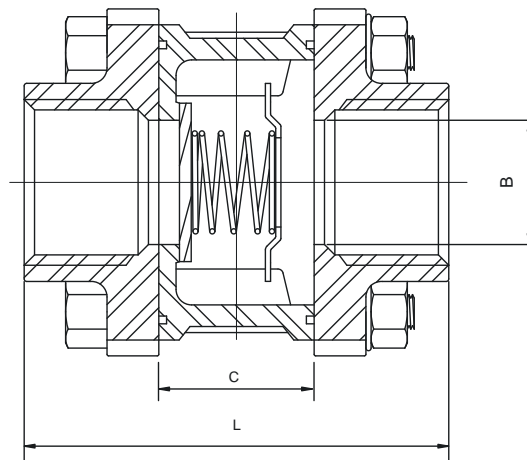
Screwed Ends

**COUNTRY OF ORIGIN:**

Taiwan

**MATERIAL CONSTRUCTION:**

Stainless Steel



**DIMENSIONS:**

DN	15	20	25	32	40	50
B	19	22	26	39	46	57
C	18	23	27.5	32	36	45
L	67	80	88	98	102	117

\* All dimensions in mm.