



聚聯工業股份有限公司

Chu Lie Industry Co., Ltd.

各式水系消防設備開發製造/各類消防安全器材批售



Screwed BSPT Inlet Globe Pattern Landing Valves



General Specification

The design construction of landing valves are strictly in accordance with BS5041: Part1:1987. Landing Valves act as outlets on Wet Riser systems and are suitable for both onshore and offshore applications, these 65mm Flanged Inlet Globe Landing Valves are in corrosion resistant gunmetal. This ensures valves more tough and durable. Valve inlets can be flanged or screwed per customer's requirements. Valve outlets are 65mm female instantaneous to BS336.

Model No.	Specifications	Approx. Weight
ABC 604L	2.5" Screwed BSPT Inlet Right-Angle Landing Valves	4.5kgs
ABC 604N	2.5" Screwed BSPT Inlet Horizontal Landing Valves	5.1kgs
ABC 604J	2.5" Screwed BSPT Inlet Bib-nosed Landing Valves	4.95kgs
ABC 604P	2.5" Screwed BSPT Inlet Oblique Landing Valves	4.75kgs

Features

- High quality casting finishes
- Glove pattern valves available in horizontal, oblique, bib-nosed or right-angle configurations.
- High quality internal casting ensures a low flow restriction
- Primary shut-off valves using a high quality rubber boned seating disc for a water tight rubber to metal seal
- Corrosion resistant
- Complete with plastic cap and chain

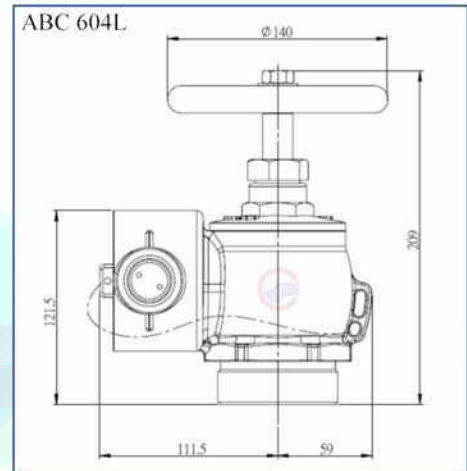
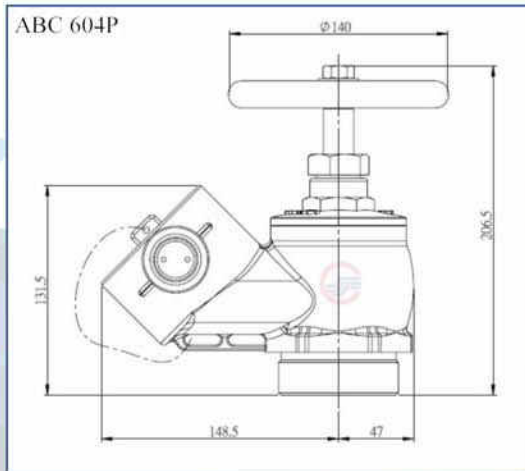
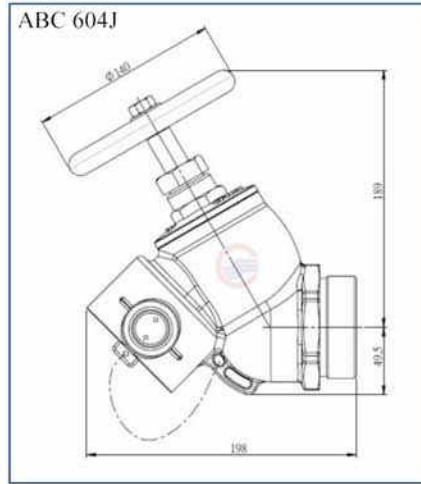
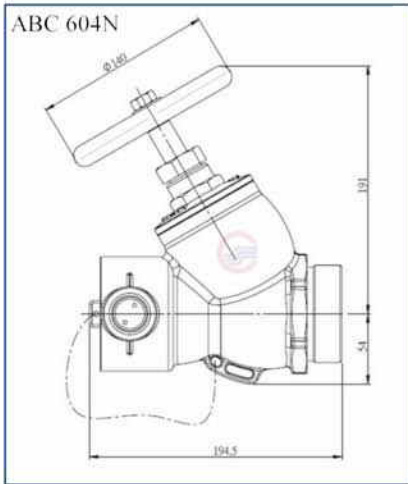
Valve Standard

- Manufactured in accordance with BS5041: Part 1:1987 and to BS5154:1991 standards

Pressure

Working Pressure: 15 bar

Hydrostatically tested to 16.5 bar and 22.5 bar for the valve seat and body.



Dimensions

Model No.	Pattern	Wide mm	Height mm	Inlet mm	Outlet mm
ABC 604N	Horizontal	245	194.5	2.5" BSPT Screwed	65 Female Instantaneous to BS336
ABC 604J	Bib-nosed	238.5	198	2.5" BSPT Screwed	65 Female Instantaneous to BS336
ABC 604P	Oblique	195.5	206.5	2.5" BSPT Screwed	65 Female Instantaneous to BS336
ABC 604L	Right-angle	170.5	209	2.5" BSPT Screwed	65 Female Instantaneous to BS336

Specification

- The design and construction of landing valves are strictly in accordance with BS5041:Part.1:1987 .
- Material: LG2 to BS1400
- Handwheel: Grey Iron to BS 1452
- Inlet : 65mm dia Male BSPT
- Outlet : 65mm BS336 female instantaneous.
- Friction Loss: <0.7 bar at flow rate of 8.5 l/sec.
- Each hydrant valve manufactured is hydrostatically tested to 22.5 bars and 30.0 bars for the valve seat and body. The valve outlet static pressure is factory preset at 7.0 bars (100 PSI) as required in the standard.

Chu Lie Industry Co.,Ltd

No.38, Ln. 427, Sangang Rd., Longjing Dist., Taichung City 434, Taiwan

TEL:886-4-26305057 FAX:886-4-26398472

Email: service@chulie.com.tw Website : www.chulie.com.tw

台中縣龍井鄉龍津村三港路427巷38號

Tel : 04 - 26305057 (代表號) ◆ FAX : 04 - 6398472