



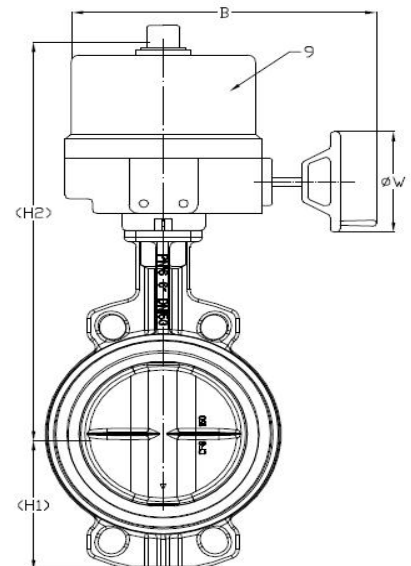
BUTTERFLY VALVE Model 3610, 3620 & 3630

PSV - Wafer Butterfly Valve

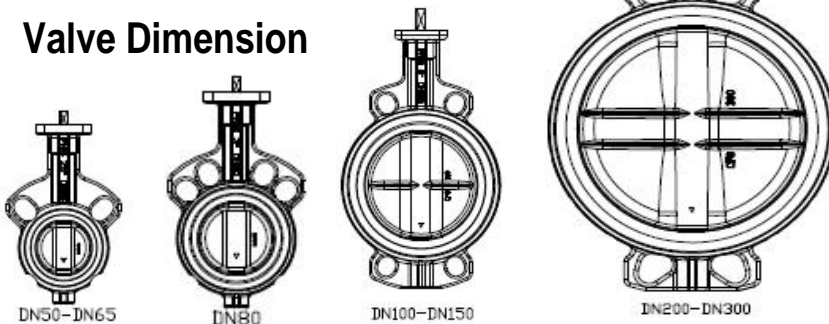
- Approved Gear Operator for both Indoor or Outdoor use
- Fully Elastomer Encapsulated Ductile Iron body for Excellent Protection
- Chrome Plated Disc with Outstanding Flow Characteristics
- Extended Neck
- Low Torque Operation
- Options of Double Internal Supervisory Switches

Material Specifications

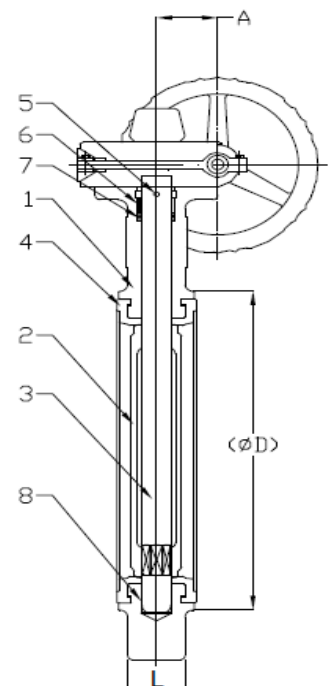
PART	SPECIFICATION
1. Upper Stem	Stainless Steel ASTM A 276 Type 420
2. Upper Bearing	PTFE Bronze Sintered on Steel
3. O-Ring	EPDM
4. Body	Ductile Iron ASTM A 536 with EPDM Encapsulation
5. Disc	Ductile Iron ASTM A 536, Chrome Plated
6. Lower Bearing	PTFE Bronze Sintered on Steel
7. Lower Stem	Stainless Steel ASTM A 276 Type 420
8. Dust Plug	PVC
9. Name Plate	Stainless Steel
10. Gear Operator	Cast Iron and Steel
11. Indicator Flag	Cast Iron
12. Handwheel	Cast Iron



Valve Dimension



DIMENSIONS						
SIZE	L	∅D	H1	H2	A	Torque(Nm)
50	43	96	65	143	75	23
65	46	110	71	155		26
80	46	124	77	162		46
100	52	148	107	181		54
125	56	180	122	197	75	91
150	56	206	140	210		154
200	60	259	165	240		253
250	68	320	201	286		408
300	78	370	234	309		564



Note: Wafer body mates with ANSI class 125 & 150 flanges and ISO PN16 flanges.

Model 3610 with Lever

Model 3620 with Gear Box c/w Handwheel

Model 3630 with Motorized Actuator