



# GROOVED END BUTTERFLY VALVE

Model 3610G



## PRESSURE RATING:

300 psi (21 bar)

## HYDRAULIC TEST:

Body : 450 psi (31.5 bar)

Seat : 330 psi (23.1 bar)

## CONNECTION:

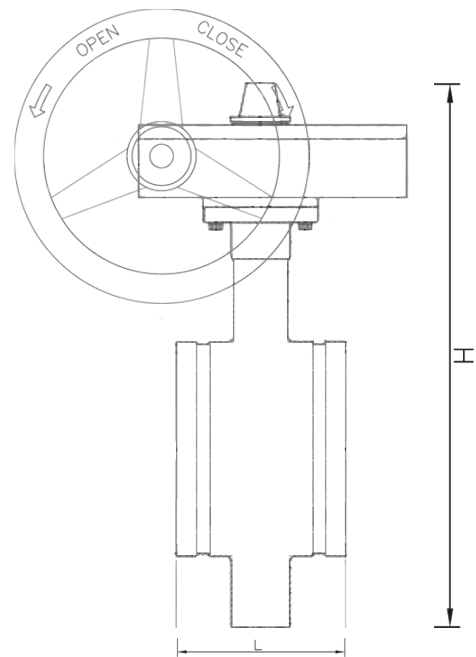
Grooved End

## PRODUCT ORIGIN:

China

## MATERIAL:

Ductile Iron



## DIMENSIONS:

DN	65	80	100	150	200
H	331	351	371	441	531
L	96	97	115	132	147

\* All dimensions in mm.