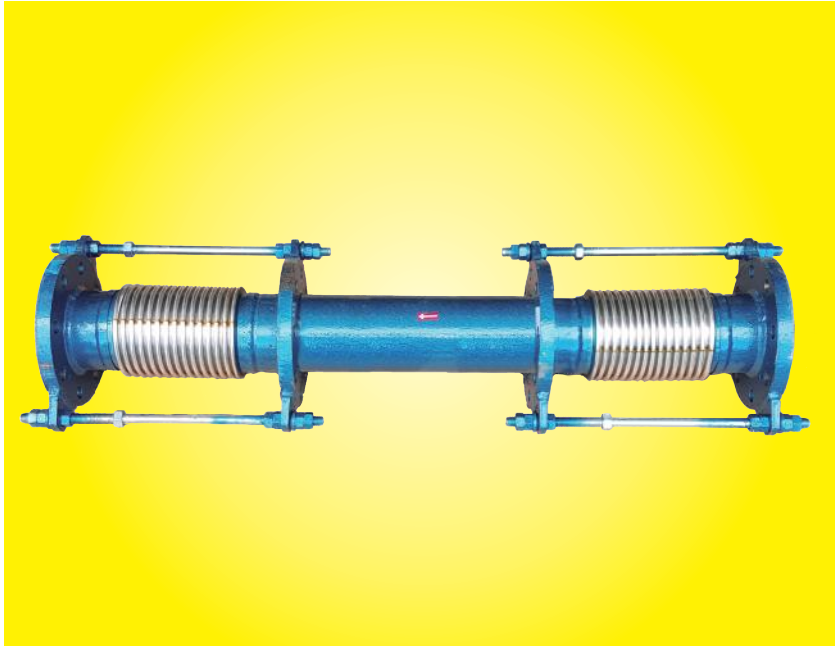




V-FLEX STAINLESS STEEL UNIVERSAL EXPANSION JOINT

Model VF-8



PRESSURE RATING:

PN 16

CONNECTION:

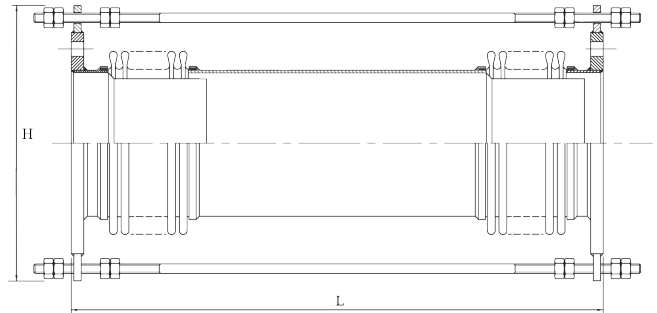
Flanged End

PRODUCT ORIGIN:

Taiwan

MATERIALS:

Stainless Steel 316



DIMENSIONS:

DN	40	50	65	80	100	150	200
L	1000	1000	1000	1000	1000	1000	1000

* All dimensions in mm.