



# CAST IRON WAFER TYPE SILENT CHECK VALVE WITH STAINLESS STEEL TRIM

Model 1404S



**PRESSURE RATING:**

PN 16

**PRODUCT ORIGIN:**

China

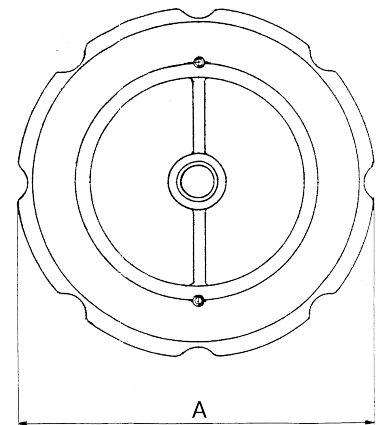
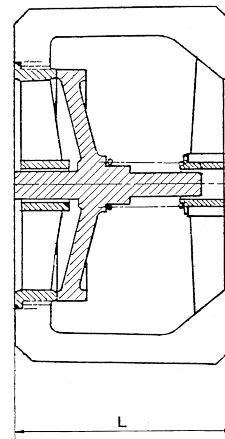
**MATERIALS:**

**Body**  
Cast Iron

**Trim**  
Stainless Steel 316

**COATING:**

Fusion bonded epoxy coated internally and externally in red, blue or black



**DIMENSIONS:**

DN	40	50	65	80	100	150	200	250
L	62	68	82	83	102	141	167	210
A	95	109	122	148	179	239	346	406

\* All dimensions in mm.