



COPPER ALLOY SECRW ENDS LOOSE JUMPER STOP VALVE

Model 1211



USE:

Water supply system for flow control.

WORKING PRESSURE:

16 bar (232 psi) max. for cold water

TESTING PRESSURE:

Body: 20 bar
Seat: 20 bar

MATERIALS:

Body, Bonnet

Copper alloy to BSEN1982 CC754S (BS1400 DCB3)

Disc

Copper alloy to BSEN1982 CC754S (BS1400 DCB3)

Stem

High Tensile Brass to BS2874 CZ121/122

Packing Nut, Gland

Copper alloy to BSEN1982 CC754S (BS1400 DCB3)

Packing

PTFE

Handwheel

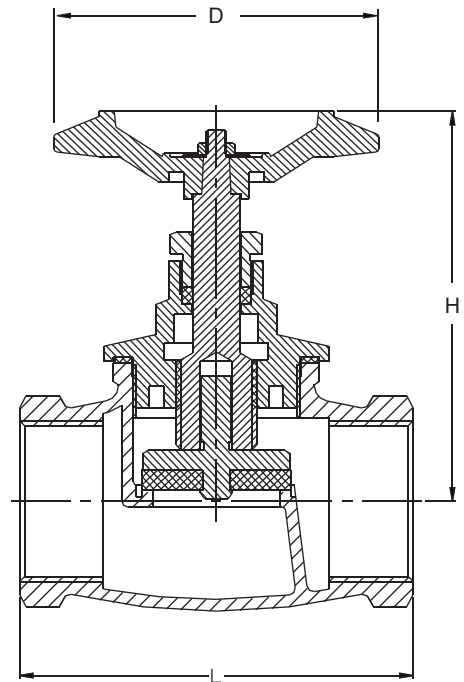
Aluminium Alloy

Name plate

Aluminium Alloy

Handwheel Nut

Carbon Steel, Zinc-Plated



DIMENSIONS:

NOMINAL SIZE DN (inch)	L mm	D mm	H (Close) mm
1/2"	46	55	64
3/4"	52	55	69
1"	65	60	77
1 1/4"	74	72	93
1 1/2"	85	80	104
2"	95	100	126