



# STAINLESS STEEL Y-TYPE STRAINER

Model 1300



**PRESSURE RATING:**

40 Bar (580psi)

**HYDRAULIC TEST:**

Body : 60 Bar (900psi)

**CONNECTION:**

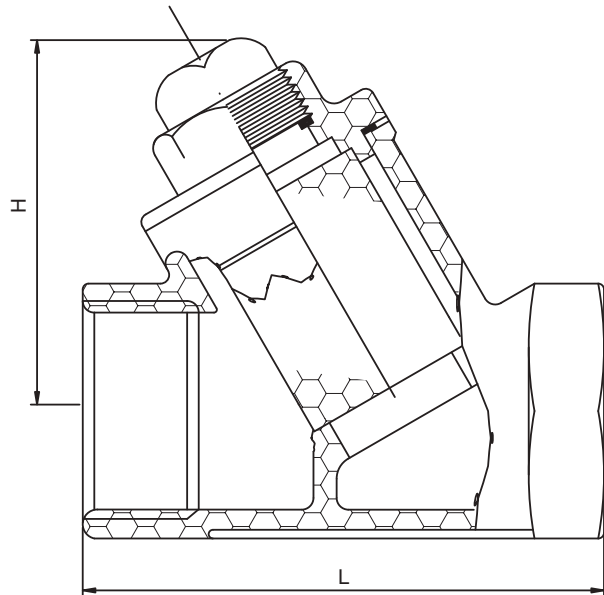
Screwed Ends

**COUNTRY OF ORIGIN:**

Taiwan

**MATERIAL CONSTRUCTION:**

Stainless Steel



**DIMENSIONS:**

DN	15	20	25	32	40	50
L	60	69	85	99	111	136
H	39	44	52	61	68	86

\* All dimensions in mm.