



# STAINLESS STEEL GLOBE VALVE WITH SCREW ENDS

Model 1200



**PRESSURE RATING:**

PN 16

**HYDRAULIC TEST:**

Body : 24 Bar

Seat : 17.6 Bar

**CONNECTION:**

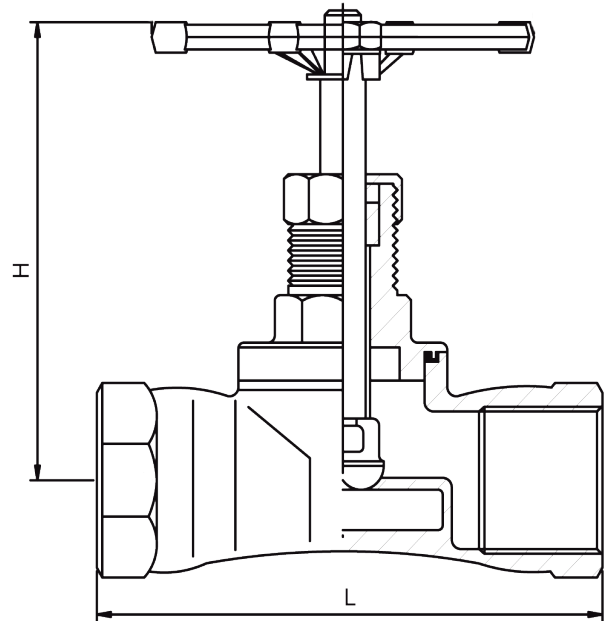
Screwed Ends

**PRODUCT ORIGIN:**

Taiwan

**MATERIAL:**

Stainless Steel 316



**DIMENSIONS:**

DN	15	20	25	32	40	50
L	63	70	77	87	100	110
H	106	106	116	122	144	145

\* All dimensions in mm.