



# STAINLESS STEEL PRESSURE REDUCING VALVE

Model 2230



**PRESSURE RATING:**

PN 16

**CONNECTION:**

Flanged Ends

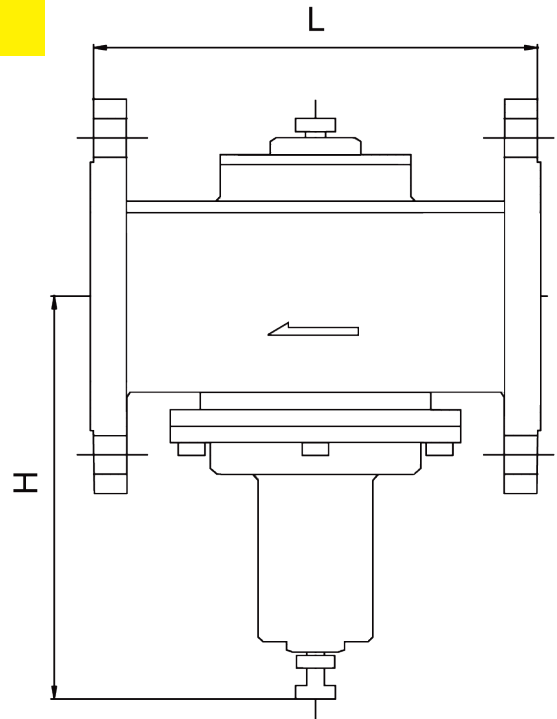
**PRODUCT ORIGIN:**

China

**MATERIALS:**

**Body and Upper Cover**  
Stainless Steel 316

**Spring & Piston**  
Stainless Steel 316



**DIMENSIONS:**

DN	65	80	100
L	210	225	250
H	185	185	230

\* All dimensions in mm.