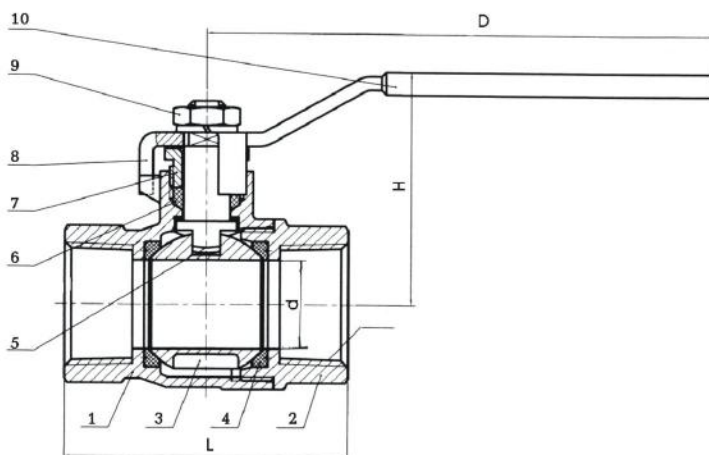


252 BRONZE BALL VALVE(THREADED)

- ◆ Pressure Rating:PN25
- ◆ Working Medium:Water, Oil, Gas
- ◆ Working Temperature: $t \leq 170^{\circ}\text{C}$
- ◆ Taper Pipe Thread To ISO7



Bill of Materials

Sequence	Description	Material	Sizes
1	Body	Bronze CC491K	All
2	Seat Retainer	Bronze CC491K	All
3	Ball	Brass CW617N	All
4	Seat	P.T.F.E	All
5	Stem	DZR Brass CW602N	All
6	Packing	P.T.F.E	All
7	Gland Nut	Brass CW617N	All
8	Lever	Zinc Plated	All
9	Lever Nut	Stainless Steel	All
10	Lever Cover	PVC	All

Dimensions

252					
DN	INCH	d	L	H	D
8	1/4"	10	46	39	81
10	3/8"	10	46	39	81
15	1/2"	15	56	50	92
20	3/4"	20	67	57	92
25	1"	25	77	65	127
32	1 1/4"	32	92	71	127
40	1 1/2"	40	103	79	142
50	2"	50	122	87	142