



# BRONZE GATE VALVE WITH SOLDER END

Model 1111



## PRESSURE RATING:

PN 16

## HYDRAULIC TEST:

Body: 24 bar  
Seat: 17.6 bar

## CONNECTION:

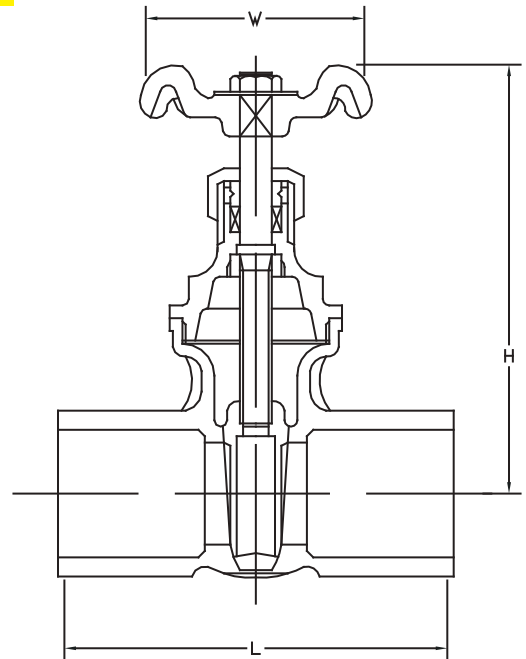
Solder Ends

## COUNTRY OF ORIGIN:

Taiwan

## MATERIALS:

Bronze  
CC491K



## DIMENSIONS:

DN	L (mm)	H (mm)	W (mm)
15	45	88	53
22	63	94	59
28	63	107	58
35	74	129	74
42	85	140	74
54	97	162	82

\* All dimensions in mm.