



聚聯工業股份有限公司

Chu Lie Industry Co., Ltd.

各式水系消防設備開發製造/各類消防安全器材批售

bsi.  ISO 9001:2008

## Flanged PN16 Inlet Globe Pattern Landing Valves



### General Specification

The design construction of landing valves are strictly in accordance with BS5041: Part1:1987. Landing Valves act as outlets on Wet Riser systems and are suitable for both onshore and offshore applications, these 65mm Flanged Inlet Globe Landing Valves are in corrosion resistant gunmetal. This ensures valves more tough and durable. Valve inlets can be flanged or screwed per customer's requirements. Valve outlets are 65mm female instantaneous to BS336.

Model No.	Specifications	Approx. Weight
ABC 604M	PN16 Flanged Inlet Right-Angle Landing Valves	7.03kgs
ABC 604O	PN16 Flanged Inlet Horizontal Landing Valves	7.6kgs
ABC 604K	PN16 Flanged Inlet Bib-nosed Landing Valves	7.05kgs
ABC 604F	PN16 Flanged Inlet Oblique Landing Valves	7.55kgs

### Features

- High quality casting finishes
- Glove pattern valves available in horizontal, oblique, bib-nosed or right-angle configurations.
- High quality internal casting ensures a low flow restriction
- Primary shut-off valves using a high quality rubber boned seating disc for a water tight rubber to metal seal
- Corrosion resistant
- Complete with plastic cap and chain

### Valve Standard

Manufactured in accordance with BS5041: Part 1:1987 and to BS5154:1991 standards

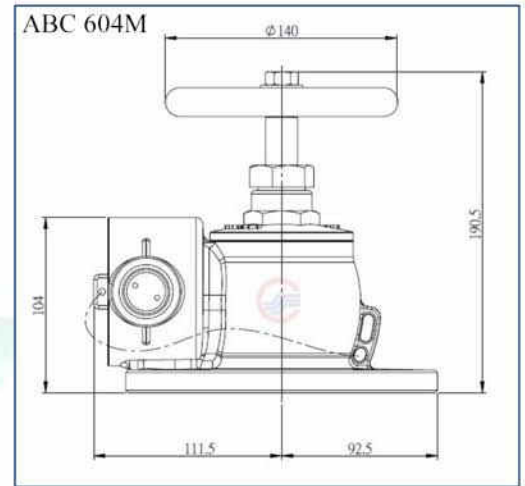
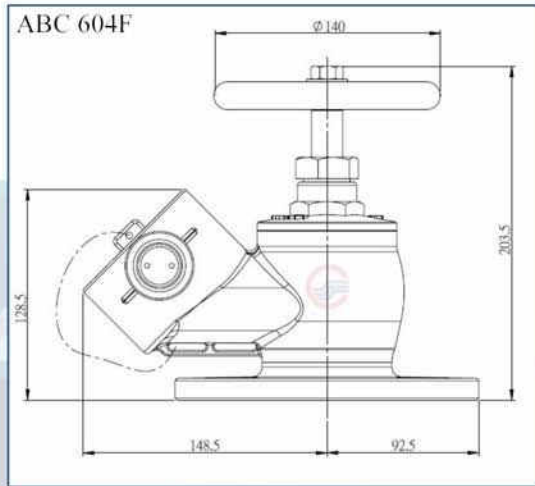
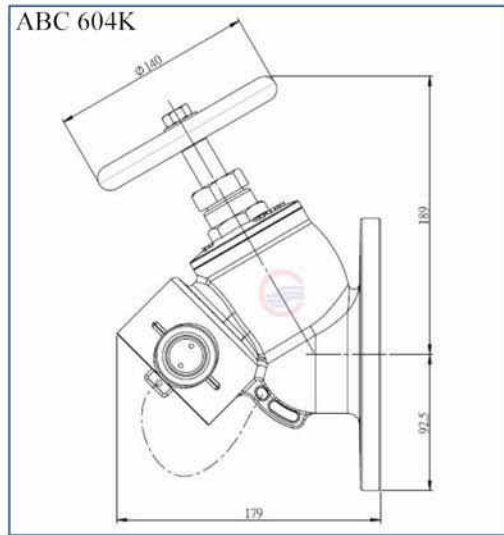
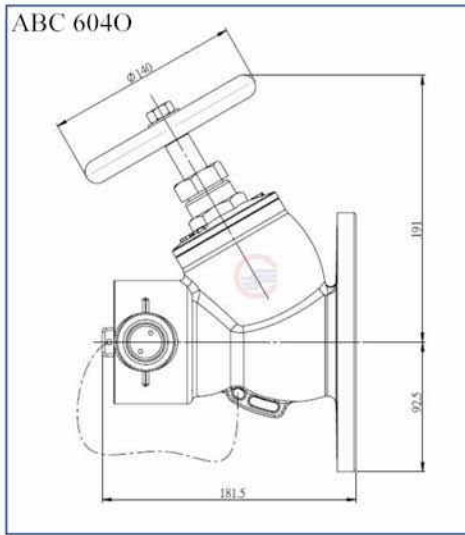
台中縣龍井鄉龍津村三港路427巷38號

Tel : 04 - 26305057 (代表號) ◆ FAX : 04 - 6398472

## Pressure

Pressure Test: 22.5 bar

Hydrostatically tested to 16.5 bar and 22.5 bar for the valve seat and body.



### Dimensions

Model No.	Pattern	Wide mm	Height mm	Inlet mm	Outlet mm
ABC 604O	Horizontal	283.5	181.5	PN16 Flanged	65 Female Instantaneous to BS336
ABC 604K	Bib-nosed	281.5	179	PN16 Flanged	65 Female Instantaneous to BS336
ABC 604F	Oblique	241	203.5	PN16 Flanged	65 Female Instantaneous to BS336
ABC 604M	Right-angle	204	190.5	PN16 Flanged	65 Female Instantaneous to BS336

## Specification

- The design and construction of landing valves are strictly in accordance with BS5041:Part.1:1987 .
- Compact and elegant design with excellent flow characteristics.
- Material: LG2 to BS1400
- Handwheel: Grey Iron to BS 1452
- Inlet : 65mm dia Male BSPT or BS4504 PN16 flange.
- Outlet : 65mm BS336 female instantaneous.
- Friction Loss: <0.7 bar at flow rate of 8.5 l/sec.
- Each hydrant valve manufactured is hydrostatically tested to 22.5 bars and 30.0 bars for the valve seat and body. The valve outlet static pressure is factory preset at 7.0 bars (100 PSI) as required in the standard.

### **Chu Lie Industry Co.,Ltd**

No.38, Ln. 427, Sangang Rd., Longjing Dist., Taichung City 434, Taiwan

TEL:886-4-26305057 FAX:886-4-26398472

Email: [service@chulie.com.tw](mailto:service@chulie.com.tw) Website : [www.chulie.com.tw](http://www.chulie.com.tw)

台中縣龍井鄉龍津村三港路427巷38號

Tel : 04 - 26305057 (代表號) ◆ FAX : 04 - 6398472