



CAST IRON EQUILIBRIUM BALL FLOAT VALVE

Model 501



PRESSURE/TEMPERATURE RATING:

50 mm-200mm	250mm-300mm	TEMP
10 BAR	7 BAR	Cold
7 BAR	7 BAR	60°C
3 BAR	3 BAR	93°C

*PN 16 optional

CONNECTION:

BSEN1092-2 (BS4504)

STANDARD:

BS1212 equivalent

PRODUCT ORIGIN:

U.K.

MATERIALS:

Body and Cover

Cast Iron to BSEN1561 EN-GJL-200 (BS1452 Gr.220)

Valve Seat and Cylinder

Gunmetal to BSEN1982 CC491K (BS1400 LG2); Optional Zinc free Bronze to BSEN1982 CC331G (BS1400 AB1) for flushing or sea water

Valve Disc

EPDM Rubber bonded to Steel reinforcing plate

Piston Seal

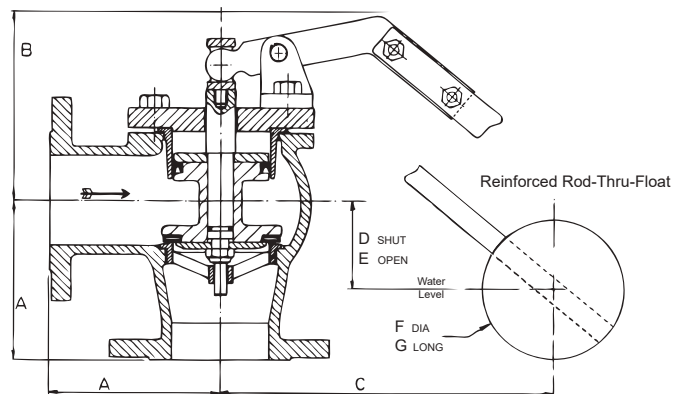
EPDM Rubber

Float

Tough Rilsan nylon coating heat-fused to Steel float or Stainless Steel 316 (or 304) float, or Tinned Copper / Neoprene / Nylon coated float
(All float are of rod-thru-float design)

COATING:

The valve is coated internally and externally by WRAS approved nylon coating or epoxy coating



DIMENSIONS:

DN	A	B	C	D	E	F	G
50	125	165	1200	155	419	305	203
65,80	155	190	1280	190	490	305	292
100	178	228	1450	250	680	356	305
150	229	280	1660	325	845	457	356
200	248	305	1960	400	1010	508	356
250	311	381	2090	475	1295	508	356
300	350	483	2430	550	1660	508	356

* All dimensions in mm.