



# CAST IRON RISING STEM METAL SEATED GATE VALVE

Model 3911



**PRESSURE RATING:**  
PN16

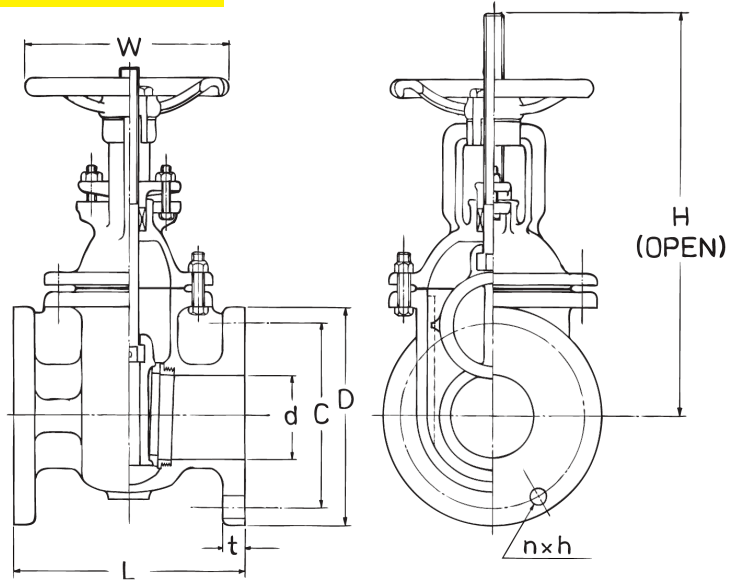
**CONNECTION:**  
Flanged Ends

**PRODUCT ORIGIN:**  
China

**MATERIALS:**  
Body, Bonnet, Disc (Wedge) & Handwheel  
Cast Iron EN-GJL-200

**Stem**  
Stainless Steel 316/ 431

**COATING:**  
Fusion bonded epoxy coated internally and  
externally in black



## DIMENSIONS:

DN	50	65	80	100	150	200	250	300
D	165	185	200	220	285	340	405	460
H	321	349	392	494	700	884	1097	1273
A	160	160	180	200	280	300	355	400
L	178	191	203	229	267	292	331	335

\* All dimensions in mm.