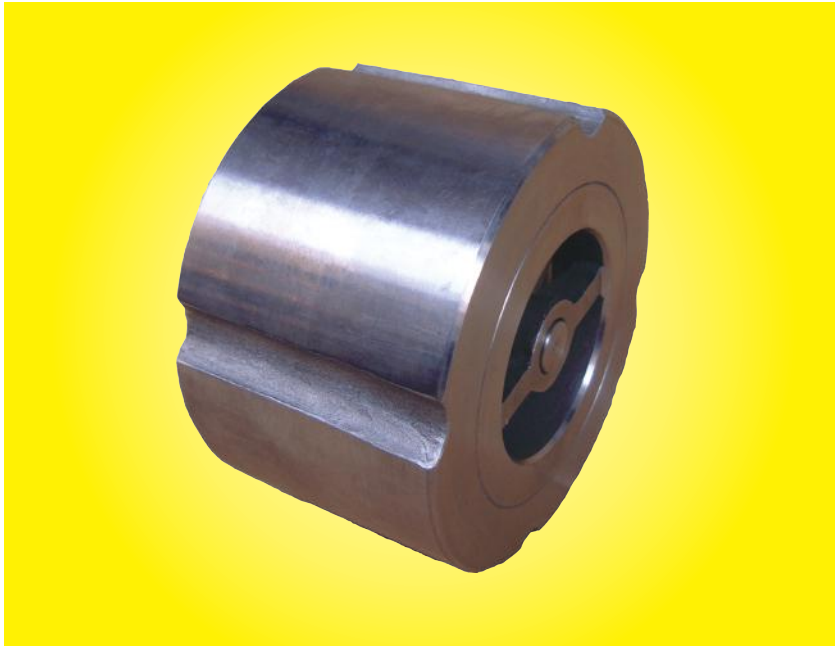




STAINLESS STEEL WAFER TYPE SILENT CHECK VALVE

Model 1403



PRESSURE RATING:

PN16

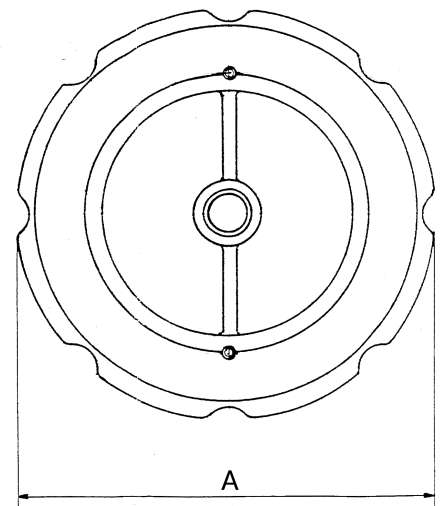
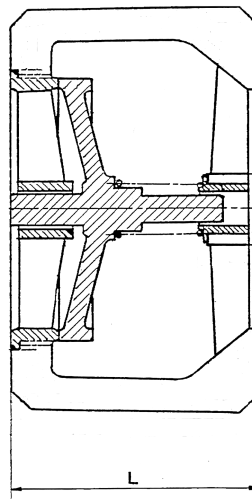
PRODUCT ORIGIN:

Taiwan

MATERIALS:

Body and Seat
Stainless Steel 316

Disc
Stainless Steel 316



DIMENSIONS:

DN	40	50	65	80	100	125	150	200	250
L	60	67	73	79	100	121	140	165	210
A	97	108	127	145	178	216	247	339	406

* All dimensions in mm.