



COPPER ALLOY GATE VALVE

Model 1011



PRESSURE RATING:

16 Bar

HYDRAULIC TEST:

Body : 24 Bar
Seat : 17.6 Bar

CONNECTION:

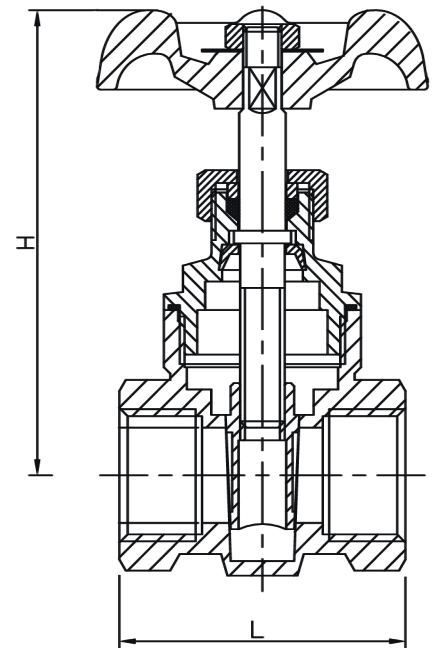
Female Screwed Ends

COUNTRY OF ORIGIN:

China

MATERIAL:

Copper Alloy



DIMENSIONS:

DN	15	20	25	32	40	50
L	43	48	55	59	62	68
H	70	75.5	86	102	112.5	129

* All dimensions in mm.

Manufacturer: PSV GLOBAL LTD. U.K.