

Instructions

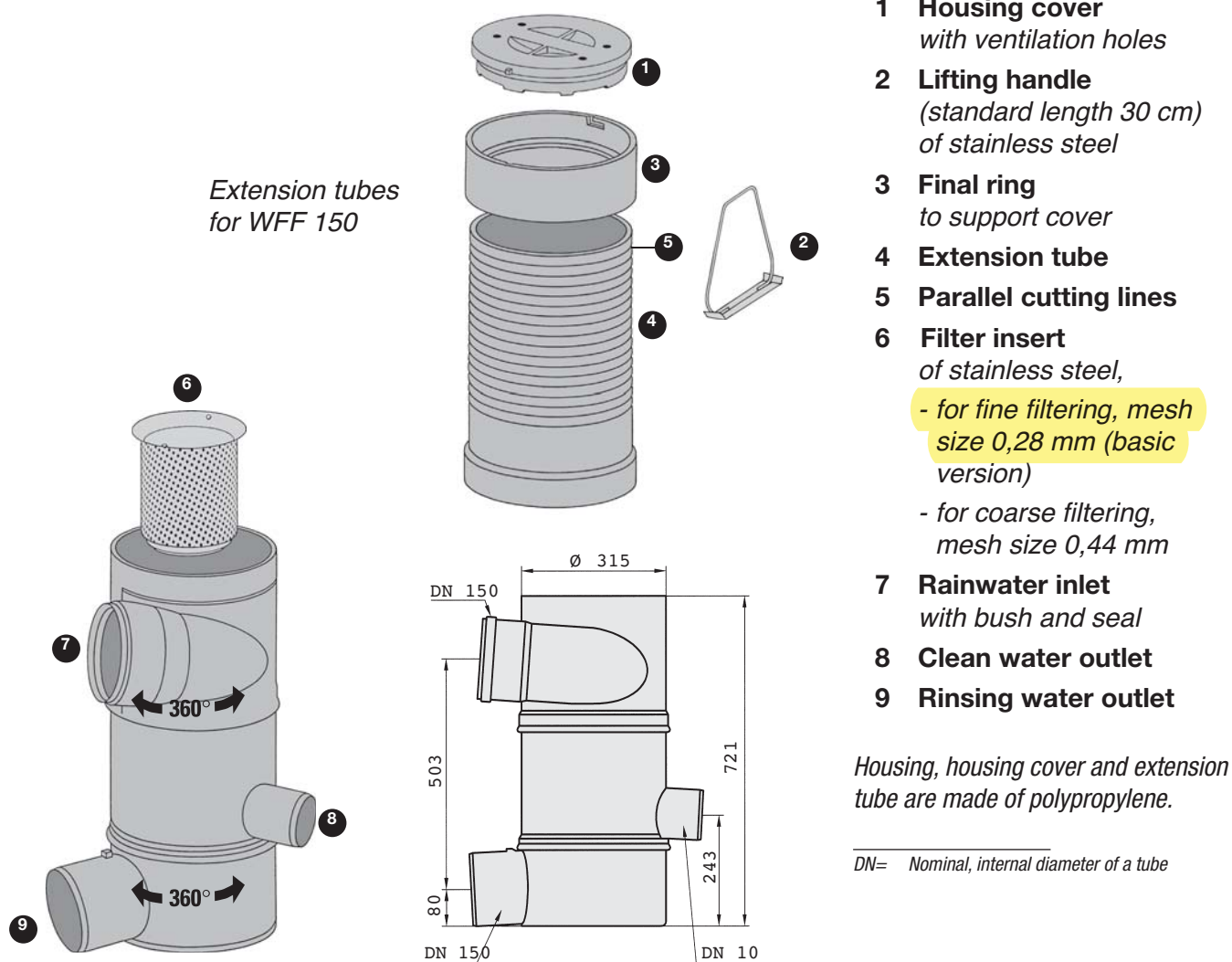
for the installing of the WISY Vortex Fine Filter

WFF 150 for roof areas of up to 500 m² (5,382 sq.ft.)

Area of application

The WISY Vortex Fine Filter, subsequently named WFF, for installation in horizontal rainwaterpipes below ground or inside buildings. It filters the rainwater from the roof which is then led into a storage tank. The best roof areas are pitched roofs of slate, clay tiles or concrete tiles. Planted roof areas are only sometimes suitable because of their low rainwater output. Roofs of bitumen felt also cannot be recommended. Unsealed asbestos-cement roofs are not suitable. The fibres washed out of these roof coverings clog the fine filter mesh.

What is what?



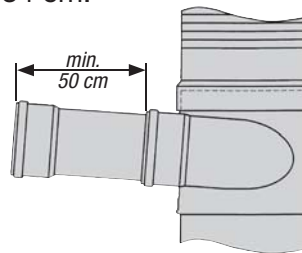
WFF 150

Hints for the installation

- Installation and connection sizes can be seen in the illustrations. The possible installation of an extension tube to raise the inspection opening is to be taken into account.
- The necessary depth will be reached in most cases with the extension tube contained in the basic version.
- Before installing in existing pipework it is to be checked whether a height difference between the rainwater inlet tube and the drain connection of 50,5 cm can be achieved for the **WFF 150**.

- The difference in height between the rainwater inlet tube and the tube to the storage tank with the **WFF 150** must be 34 cm.

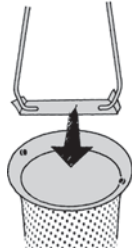
- The necessary depths of incoming and outgoing tube are to be determined in case of a new planing. A „**Settling length**“ of at least 50 cm is to be planned for this in front of the rainwater inlet.



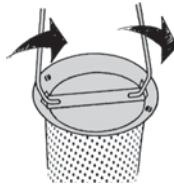
- The nominal size of the drain pipe may not be less than the nominal size of the rainwater inlet pipe, so that there is no restriction in the WFF cross-section.
- If the installation conditions cannot be achieved, the WFF cannot be installed. In this case we recommend the WISY standpipe filter collector for installing into the rainwater downpipe.
- To ensure that the WFF can carry vehicles of up to 30 t (according to ATV test) an appropriately compacted subsoil or concrete slab is required.
- The use of the WISY final ring is important for a reliable and safe putting on of the housing cover. The final ring is placed either on the filter housing or on the extension tube, if this is in use. The final ring has to be screwed also with three screws.
- For larger depths, up to two further extension tubes can be assembled (accessories).

Cleaning the filter insert

- Remove the filter insert with the provided lifting handle (standard length 30 cm).



*Set down the
lifting handle ...*



*... turn clockwise
under the lugs ...*



... and remove

- We recommend cleaning every quarter. Cleaning at shorter intervals may be necessary in unfavourable cases; in favourable cases after six months, but then clean the filter insert in any case.
- After cleaning the filter insert make sure to remove the lifting handle and store it safely outside the filter. Otherwise the handle will reduce the effectivity of the waterflow.

Experience has shown that cleaning in a dishwasher is always successful, provided the filter insert is placed in the same position in the dishwasher as it is in the WFF. Cleaning by hand is also possible with a small brush, hot water and a normal dishwashing liquid. For tenacious soiling of the filter mesh (e.g. through industrial pollution in the neighbourhood) the use of a high pressure cleaner will lead to success!