



# STAINLESS STEEL SWING CHECK VALVE

Model 1401



**PRESSURE RATING:**

PN 40 (600 psi)

**HYDRAULIC TEST:**

Body : 60 Bar

Seat : 44 Bar

**CONNECTION:**

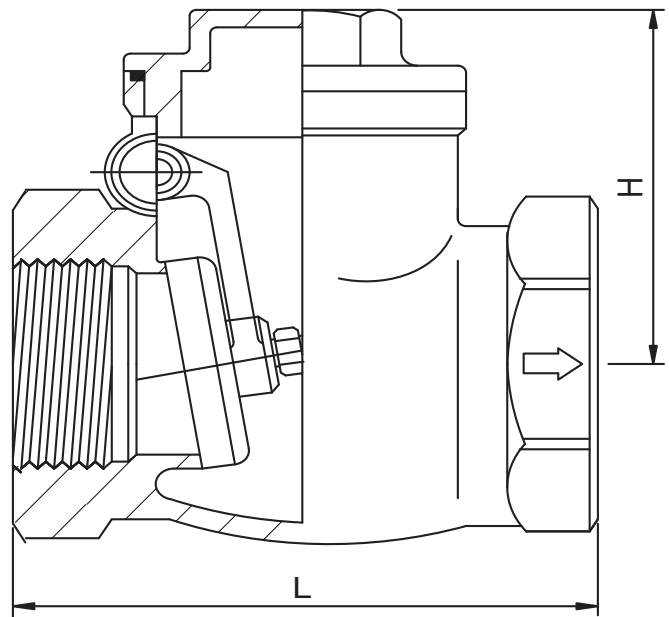
Screwed Ends

**COUNTRY OF ORIGIN:**

Taiwan

**MATERIAL CONSTRUCTION:**

Stainless Steel



**DIMENSIONS:**

DN	20	25	32	40	50
H	50	56	57	62	70
L	77	83	94	104	123

\* All dimensions in mm.