



CAST IRON Y-TYPE STRAINER

Model 3930



PRESSURE RATING:

PN 16 (232 psi)

CONNECTION:

Flanged Ends

PRODUCT ORIGIN:

Taiwan

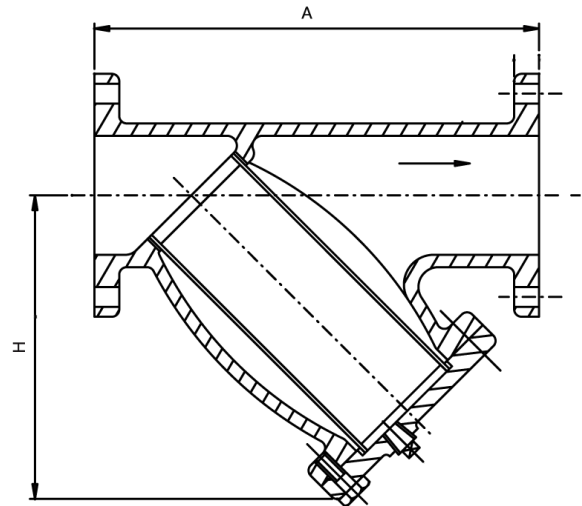
MAERIALS:

Body & cover:
Cast Iron

Screen:
Stainless Steel 316

COATING:

Fusion bonded epoxy coated internally and externally in red, blue or black



DIMENSIONS:

DN	50	65	80	100	125	150	200	250
A	251	286	317	378	455	517	609	749
H	157	194	209	255	317	363	441	530

* All dimensions in mm.