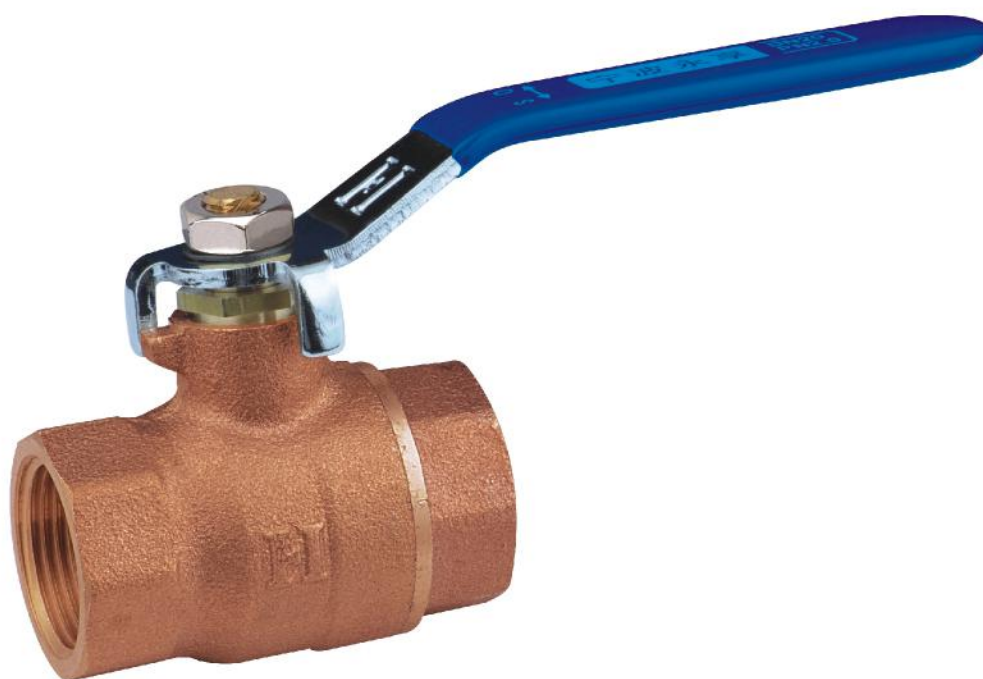
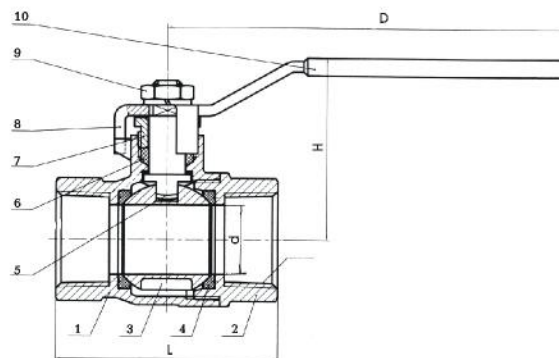


BALL VALVE

251A BRONZE BALL VALVE(THREADED)

- ◆ Pressure Rating:PN20
- ◆ Working Medium:Water,Oil,Gas
- ◆ Working Temperature:t≤170℃
- ◆ Taper Pipe Thread To ISO7



Bill of Materials

| Sequence | Description | Material | Sizes |
|----------|---------------|---------------------------|-------|
| 1 | Body | Bronze CC491K | All |
| 2 | Seat Retainer | Bronze CC491K | All |
| 3 | Ball | Brass CW617N | All |
| 4 | Seat | P.T.F.E | All |
| 5 | Stem | DZR Brass CW602N | All |
| 6 | Packing | P.T.F.E | All |
| 7 | Gland Nut | Brass CW617N | All |
| 8 | Lever | Mild Steel(Chrome Plated) | All |
| 9 | Lever Nut | Stainless Steel | All |
| 10 | Lever Cover | PVC | All |

Dimensions

| 251A | | | | | |
|------|------|----|-----|-----|-----|
| DN | INCH | d | L | H | D |
| 15 | ½" | 14 | 53 | 44 | 95 |
| 20 | ¾" | 19 | 61 | 51 | 110 |
| 25 | 1" | 24 | 71 | 55 | 110 |
| 32 | 1¼" | 31 | 85 | 65 | 140 |
| 40 | 1½" | 38 | 92 | 70 | 140 |
| 50 | 2" | 49 | 114 | 83 | 160 |
| 65 | 2½" | 63 | 134 | 118 | 220 |
| 80 | 3" | 73 | 152 | 132 | 270 |
| 100 | 4" | 90 | 182 | 150 | 280 |